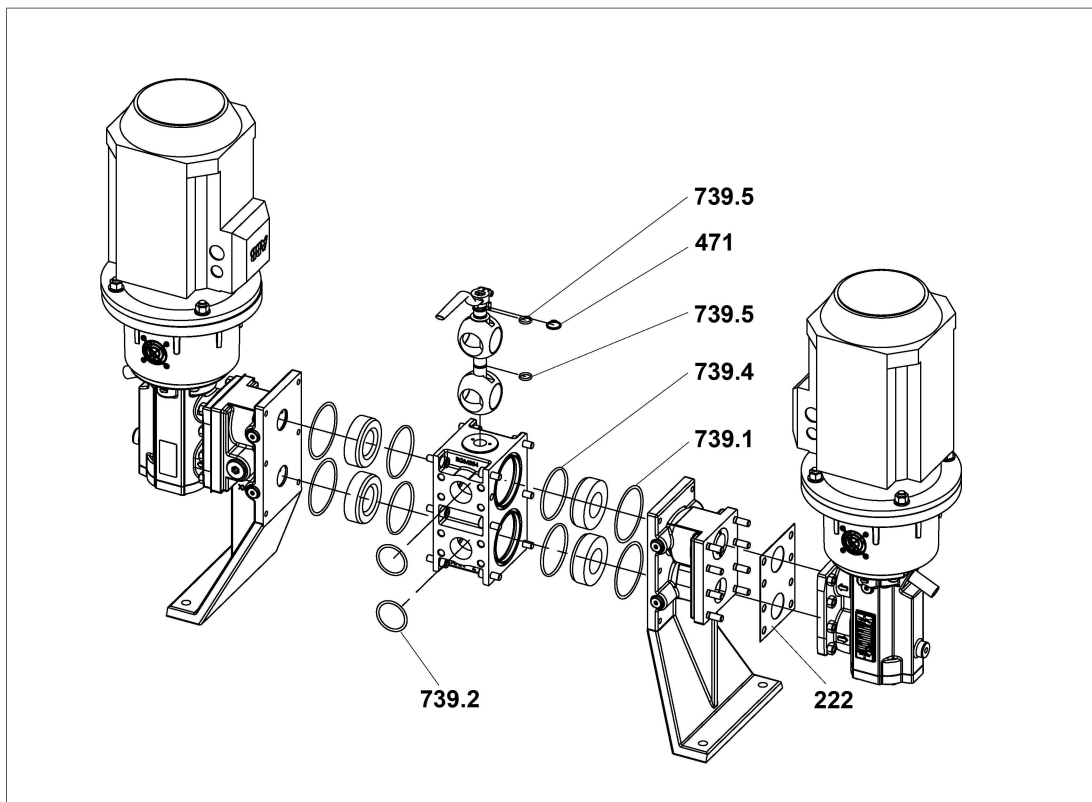


Maintenance kit

DALP-C (ALP-0015 – 0085)



Notice: For molded gasket see separate kit (molded gasket kit).

Notice: Only the numbered parts are included in the maintenance kit. Before installation read and observe the operating instructions of the pump/station.

Qty.	Pos. no.	Part
2*	222	Flat gasket
1	471	Circlip
4	739.1	Outer O-ring
2	739.2	O-ring
4	739.4	Inner O-ring
2	739.5	O-ring
	*	For ALP-0015-0020, ALP 0030-0040 and ALP 0055-0085 each including 2 pieces.