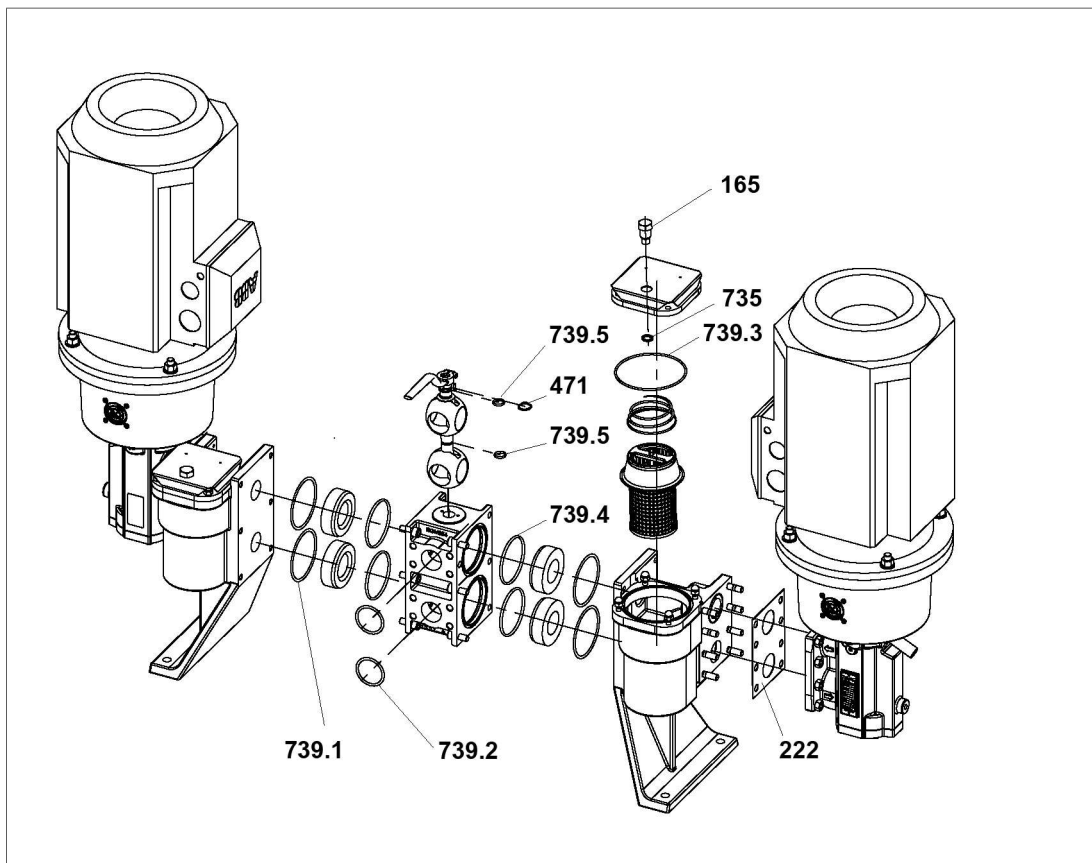


## Maintenance kit

### DALP-S (ALP-0015 – 0085)



**Notice:** For molded gasket see separate kit (molded gasket kit).

**Notice:** Only the numbered parts are included in the maintenance kit. Before installation read and observe the operating instructions of the pump/station.

Qty.	Pos. no.	Part
2	<b>165</b>	Screw plug
2*	<b>222</b>	Flat gasket
1	<b>471</b>	Circlip
2	<b>735</b>	Copper seal
4	<b>739.1</b>	Outer O-ring
2	<b>739.2</b>	O-ring
2	<b>739.3</b>	O-ring
4	<b>739.4</b>	Inner O-ring
2	<b>739.5</b>	O-ring
	*	For ALP-0015-0020, ALP 0030-0040 and ALP 0055-0085 each including 2 pieces.