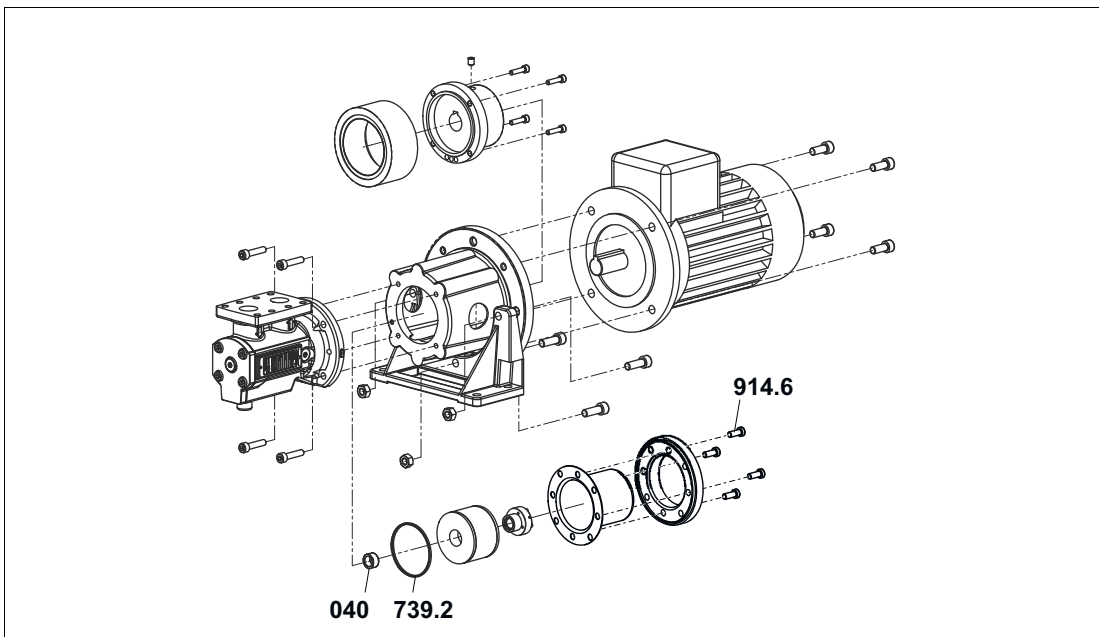
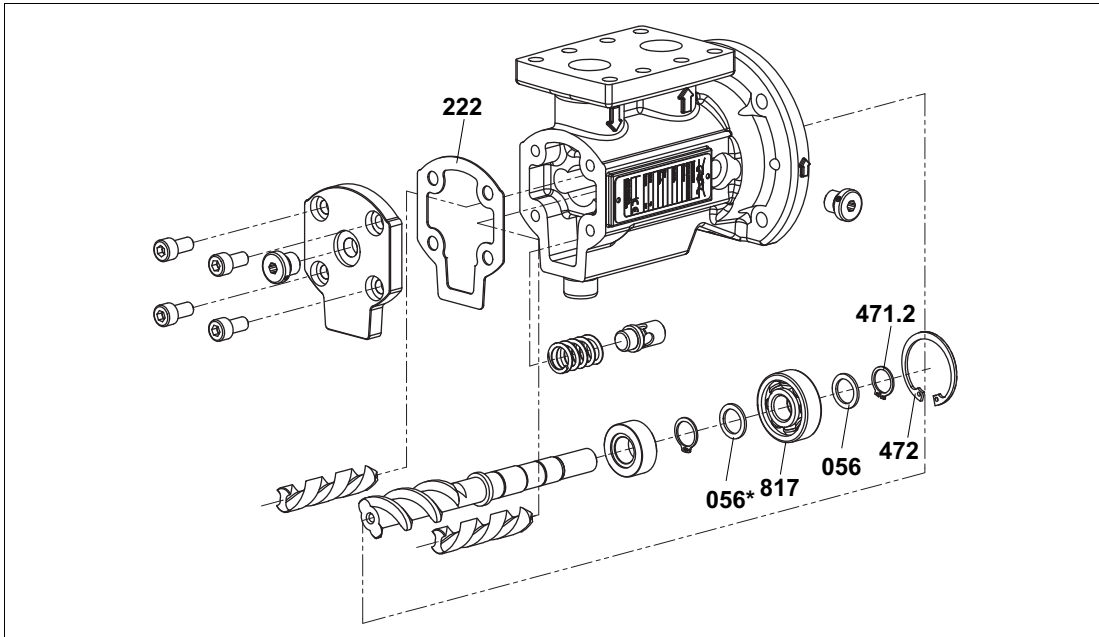


Maintenance kit magnetic coupling

ALP-0015 – 0085



Notice: Only the numbered parts are included in the maintenance kit. Before installation read and observe the operating instructions of the pump/station.

Stk./Qty.	Pos. Nr./Pos. no.	Part
1	040	Distance sleeve
1*	056	Supporting ring
1	222	Flat gasket
1	471.2	Circlip
1	472	Circlip
1	739.2	O-ring
1	817	Ball bearing
4	914.6	Socket screw
1		Disassembly tool
	*	Only for ALP-0015 – 0020: 2 pcs.