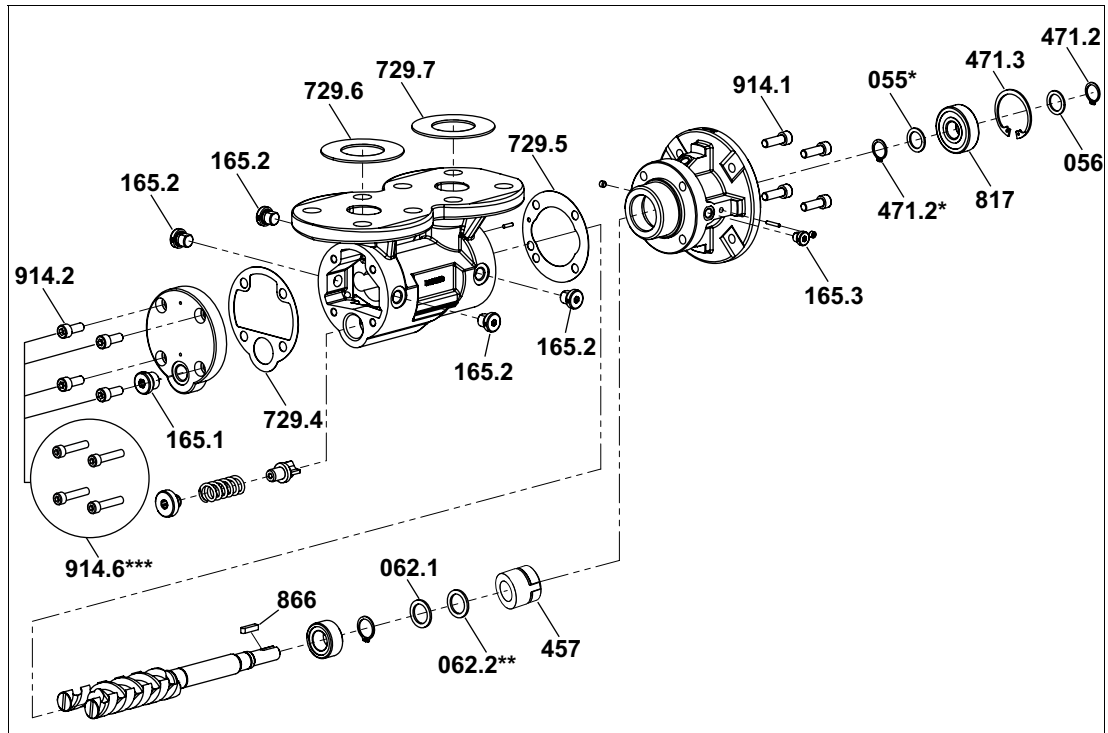


Maintenance kit mechanical seal, hard material

3SBT/3SVT



Notice: Only the numbered parts are included in the maintenance kit. Before installation read and observe the operating instructions of the pump/station.

Qty.	Pos. no.	Part
1	055*	Supporting ring
1	056	Supporting ring
1	062.1	Supporting ring
1	062.2**	Supporting ring
1	165.1	Screw plug
4	165.2	Screw plug
1	165.3	Screw plug
1	457	Mechanical seal
1	471.2	Circlip
1	471.2*	Circlip
1	471.3	Circlip
1	729.4	Flat gasket
1	729.5	Flat gasket
1	729.6	Flat gasket suction flange
1	729.7	Flat gasket pressure flange
1	817	Ball bearing
1	866	Feather key
4	914.1	Socket screw
4	914.2	Socket screw
4	914.6***	Socket screw
1		Silicone grease 1 g
	*	Not for 3S 32 – 210
	**	Not for 3S 32 – 118
	***	Only for 3SVI: replaces 914.2