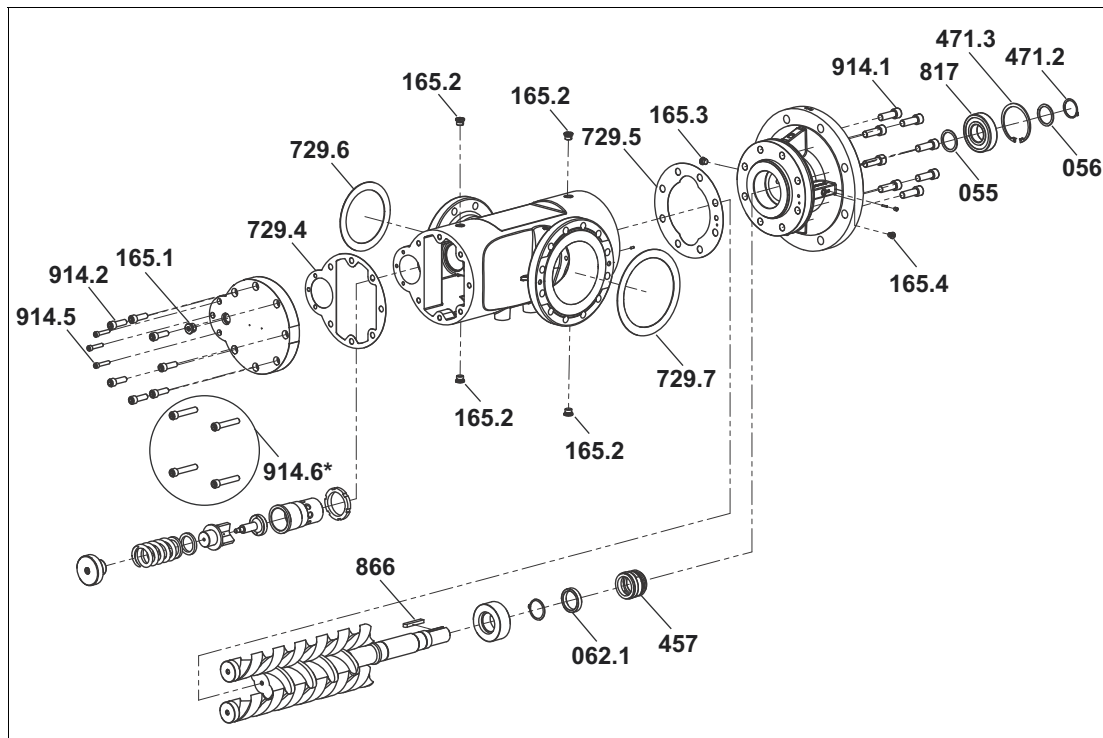


Maintenance kit mechanical seal, hard material

3SBI/3SVI 1500 – 1700



Notice: Only the numbered parts are included in the maintenance kit. Before installation read and observe the operating instructions of the pump/station.

Qty.	Pos. no.	Part
1	055	Supporting ring
1	056	Supporting ring
1	062.1	Supporting ring
1	165.1	Screw plug
4	165.2	Screw plug
1	165.3	Screw plug
1	165.4	Screw plug
1	457	Mechanical seal
1	471.2	Circlip
1	471.3	Circlip
1	729.4	Flat gasket
1	729.5	Flat gasket
1	729.6	Flat gasket suction flange
1	729.7	Flat gasket pressure flange
1	817	Ball bearing
1	866	Feather key
8	914.1	Socket screw
7	914.2	Socket screw
3	914.5	Socket screw
4	914.6*	Socket screw
2		Silicone grease 1 g
	*	Only for 3SVI: replaces 4 pieces 914.2